

RELAX

SLIDING BASKET W900mm

SSR-2454-900-AN

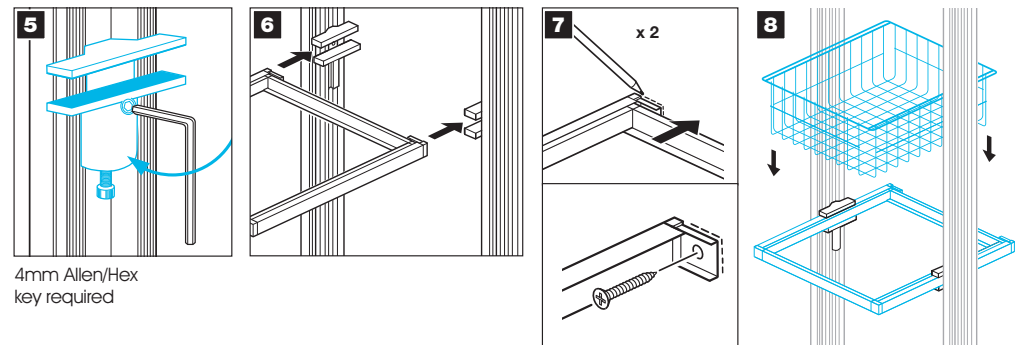
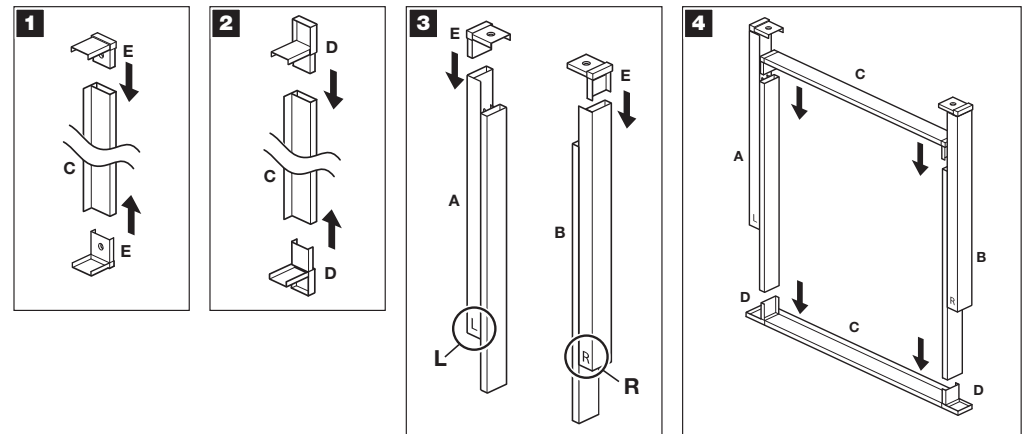
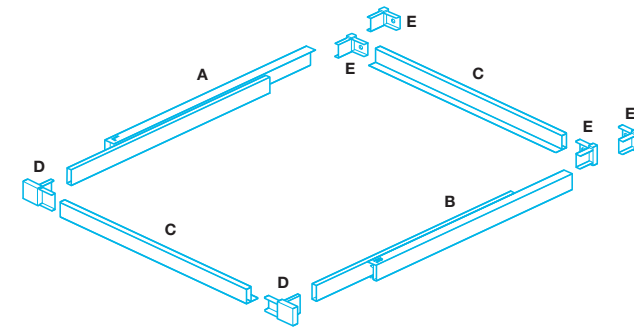
SLIDING BASKET

W900mm

TOOLS REQUIRED:

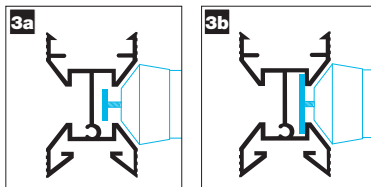


2 & 4mm Allen/Hex



4mm Allen/Hex key required

TOP TIP:



* **Fitting to the Stanchions.** When attaching the brackets to the Stanchion ensure the washer, which sits within the Stanchion groove is rotated enough for a secure fitting (3a-3b).

