

RELAX

SHOE RACK INSTRUCTIONS

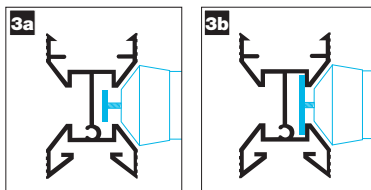
W1220mm

TOOLS REQUIRED:



2 & 4mm Allen/Hex

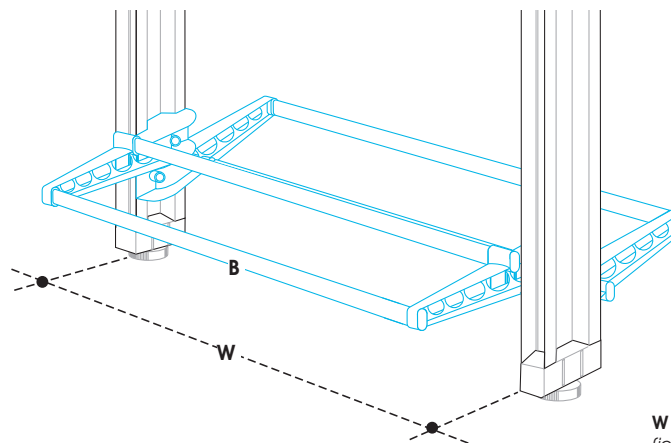
TOP TIP:



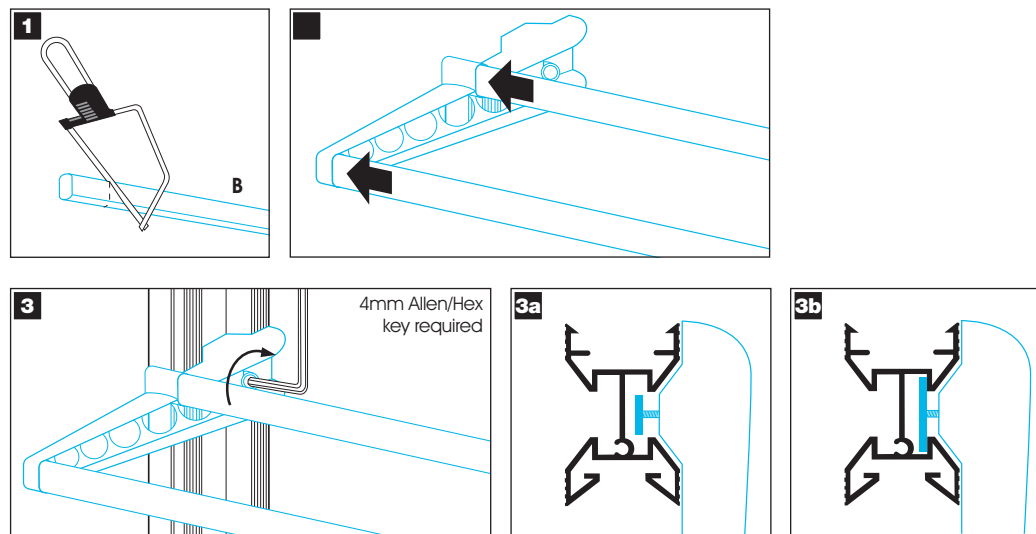
* **Fitting to the Stanchions.** When attaching the brackets to the Stanchion ensure the washer, which sits within the Stanchion groove is rotated enough for a secure fitting (3a-3b).

SHOE RACK W1220mm

SSR-2123-048-AN



W - 13mm = B
(ie: W910mm - 13mm = B897mm)



* Main illustration above shows X2 Shoe racks.