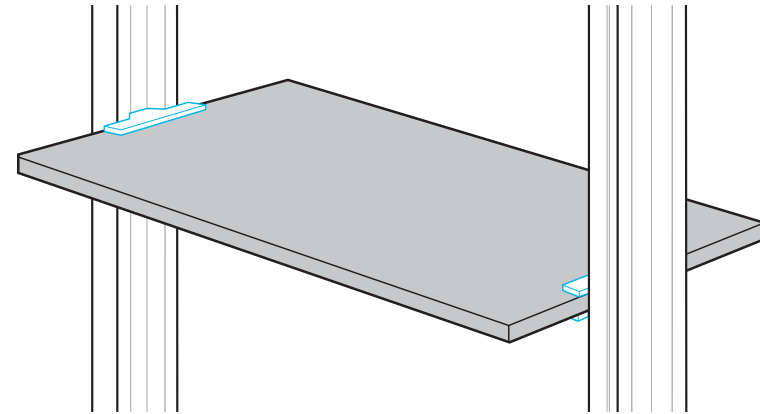


RELAX

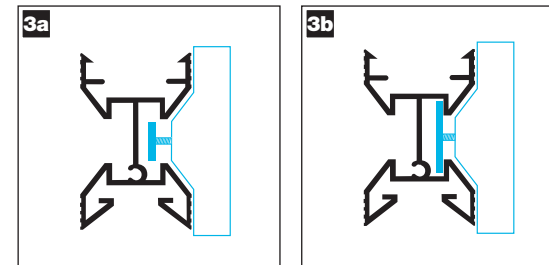
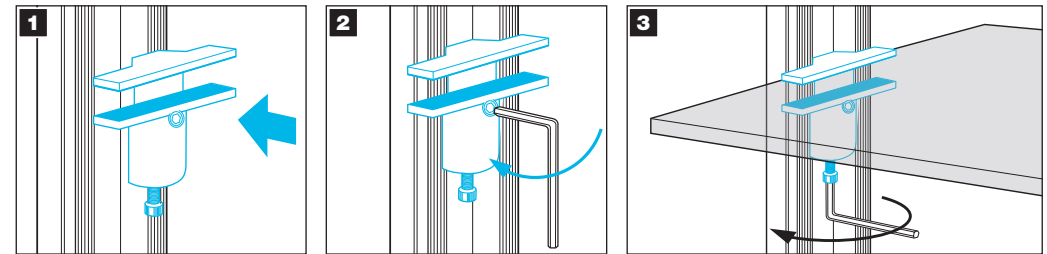
SHELF BRACKET

SSR-2263-AN

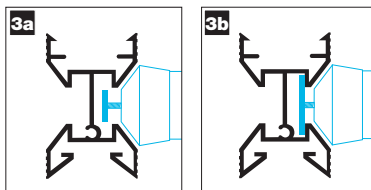
SHELF BRACKET INSTRUCTIONS



TOOLS REQUIRED:



TOP TIP:



* Fitting to the Stanchions. When attaching the brackets to the Stanchion ensure the washer, which sits within the Stanchion groove is rotated enough for a secure fitting (3a-3b).