

BedroomsPlus, 2 Murray Court, Hamilton, South Lanarkshire ML3 9SL • Tel: 01698 897666 • Email: supply@bedroomsplus.co.uk • Web: www.bedroomsplusonline.co.uk

PLEASE READ before starting assembly. Carefully open the packs supplied and check the contents against the parts and fittings check list. Do Not dispose of the packaging until you are certain that you have all the necessary parts for the assembly. The manufacturer reserves the right to alter specifications without prior notice.

IMPORTANT NOTES:

1. Please ensure that the packaging is disposed of in a safe environmentally friendly way.
2. There are small components used in the construction of the door frame. These loose items should be kept away from young children whilst assembling.
3. Protect the high finish of the tracks by using a suitable material on the working surface during assembly.
4. We recommend that two people carry out this assembly.
5. Make sure there are no pipes or cables where you are drilling.

PLEASE NOTE: All tracks are supplied longer to allow accurate trimming on site.

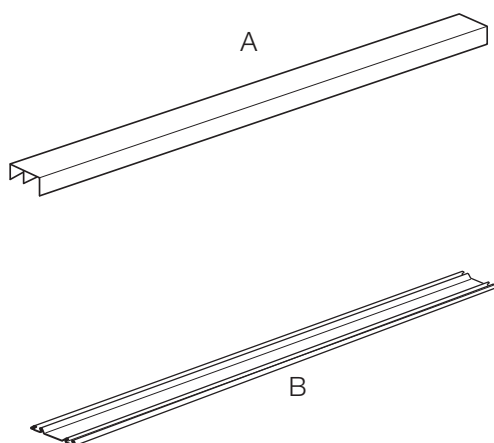
SAFE OPERATION:

- **DO NOT** open or close your doors with 'excessive' force, at the or near the very top & bottom of the door.

TRACK PACK		
A	Top Track	1
B	Bottom Track	1

TOOLS REQUIRED: Spirit Level, Pencil, Crosshead screwdriver, Drill, 4mm Drill bit, Ruler/Tape measure.

ALSO REQUIRED: Wall plugs and drill bits suitable for the walls and ceiling.



1

approx 610mm

back wall

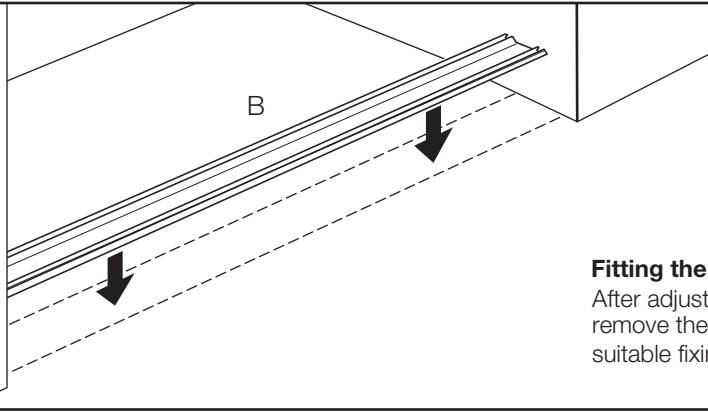
25mm

Top Track - Position the top track (A) into the top of the opening. Drill and plug the header/ceiling as required and fix the top track.

Floor Track - Position the floor track (B) 25mm back from the front line of the Top Track. Fix the floor track using suitable fixings.

IMPORTANT
Before permanently fitting the Floor Track to your floor, fit the door into place, then using a spirit level adjust the Floor Track so the door becomes vertical.

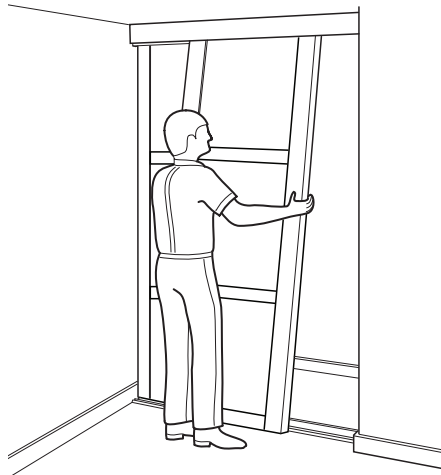
2



Fitting the Bottom Track

After adjusting the Floor Track so that the doors are vertical, remove the door, then fix the bottom track accordingly with suitable fixings.

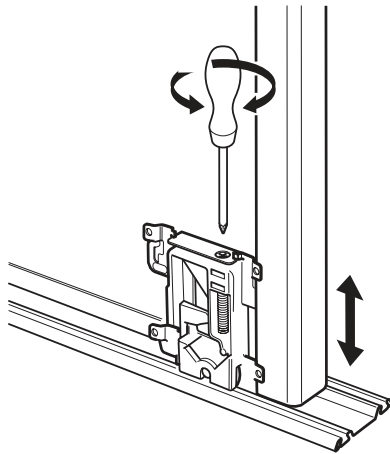
3



Installing the Doors

Always locate the back door/s first. Angle the door and insert the top of the door into the top track. Straighten the door and lower the bottom wheels into the Floor Track grooves.

4



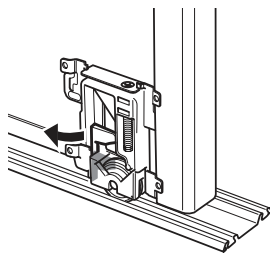
Adjusting the Doors

Align the doors so the end doors are plumb to the side walls. Adjust the bottom wheels using a pozidrive screwdriver, altering the height and angle of each door. Turn the screw clockwise to raise the door and anti-clockwise to lower the door.

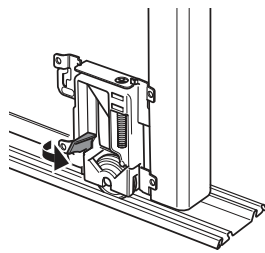
4a

Engaging Anti-jump Clips

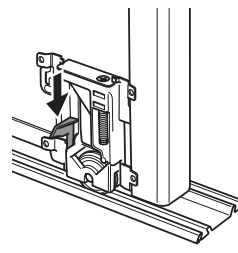
Clips must be engaged to ensure doors do not leave tracks



A Rotate
anti-jump clip
into open position



B Push
anti-jump clip fully
down into track



C Rotate
anti-jump clip back
into closed position

To disengage anti-jump clip just reverse procedure.

Note: In the unlikely event of anti-jump clip becoming detached during engagement, simply snap it back into original position shown on drawing A.