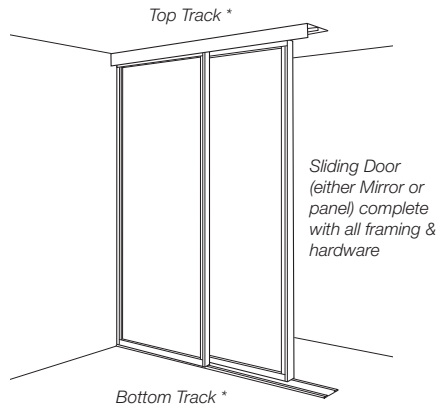


HOW TO INSTALL YOUR STANDARD SLIDING DOORS

Read carefully through these instructions before you start

We provide these components with your Wardrobe Doors and Track-Set. Components marked with * are supplied in the Track-Set. The Top Guides and Bottom Wheels are pre-fitted to the Wardrobe Doors.



For safety, mirror doors must not be installed in children's rooms, walk-through situations such as walk-in wardrobes or where floors can become wet and slippery such as shower rooms.

Identify and, if necessary, construct the correct opening width for your doors using the table below and instructions A to E shown on the back page.

All Doors are made to fit a standard opening height of 2260mm. A higher ceiling can be reduced using Spacer Blocks or Opening Height Reducers as shown in section E on the back page.

You will also need: Pozidrive screwdriver, Hacksaw, Tape measure, Bradawl, Spirit level, Electric drill, Drill bits and suitable wall plugs.



CHOOSING YOUR DOORS AND TRACK-SET

Remember that you will be fitting the doors into one of the opening widths shown below but the height will always need to be 2260mm.

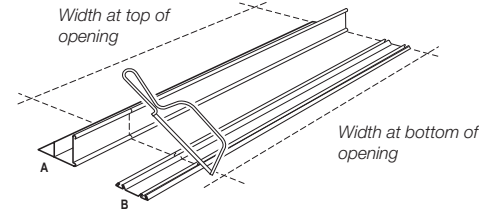
OPENING WIDTH	NUMBER OF DOORS REQUIRED	TRACK SET	*No. of OHR or SB required
1193mm (47")	Two 610mm (24")	1803mm (71")	3
1498mm (59")	Two 762mm (30")	1803mm (71")	3
1778mm (70")	Three 610mm (24")	1803mm (71")	3
1803mm (71")	Two 914mm (36")	1803mm (71")	3
2235mm (88")	Three 762mm (30")	2692mm (106")	4
2387mm (94")	Four 610mm (24")	2692mm (106")	4
2692mm (106")	Three 914mm (36")	2692mm (106")	4
2946mm (116")	Five 610mm (24")	3607mm (142")	4
2997mm (118")	Four 762mm (30")	3607mm (142")	5
3556mm (140")	Six 610mm (24")	3607mm (142")	5
3607mm (142")	Four 914mm (36")	3607mm (142")	5

*OHR - Opening Height Reducer SB - Spacer Blocks

1

Sizing the Tracks

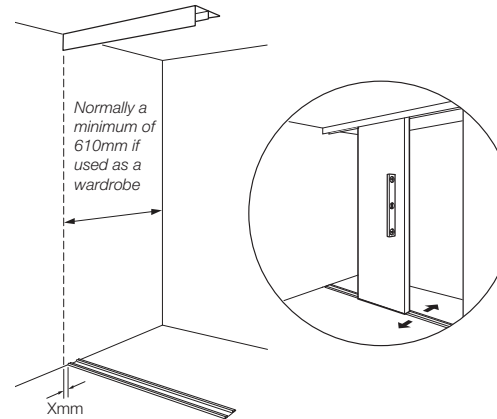
Measure the width of the top of your opening. Using a set square mark a straight line across the Top Track A. Measure the width of the base of your opening. Mark a corresponding line across the Floor Track B. Cut the tracks using a fine tooth hacksaw



2

Installing the Tracks

Top Track - Position the Track into the top of the opening. Drill and plug the header/ceiling as required and fix the Top Track using the long screws provided (see back page for suggestions).



3

Positioning the Doors

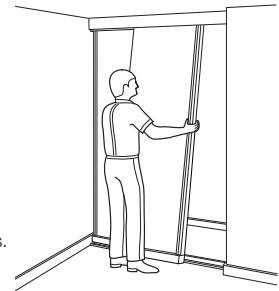
Position your doors in the appropriate combinations shown below, to allow for overlapping.



4

Installing the Doors

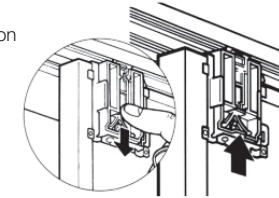
Always locate the back door/s first. Angle the door and insert the top of the door into the top track. Straighten the door and lower the bottom wheels into the Floor Track grooves.



5

Engaging the Top Guide

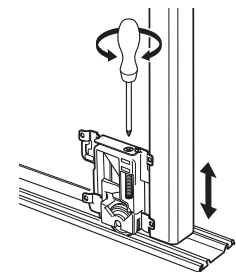
Push up white plastic section of the guide to engage into top track. To remove door from top track pull down on top guide as shown. The guide will then disengage from top track. Lift out at an angle.



6

Adjusting the Doors

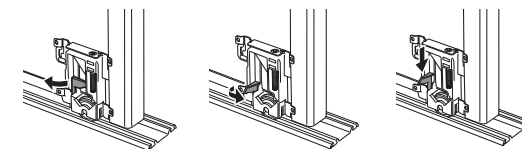
Align the doors so the end doors are plumb to the side walls. Adjust the bottom wheels using a pozidrive screwdriver, altering the height and angle of each door. Turn the screw clockwise to raise the door and anti-clockwise to lower the door.



7

Engaging Anti-jump Clips

Clips must be engaged to ensure doors do not leave tracks.



A Rotate
anti-jump clip into open position

B Push
anti-jump clip fully down into track

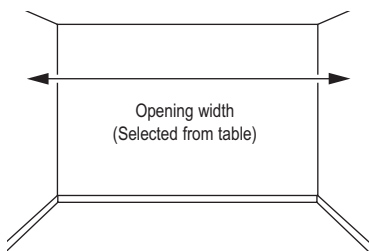
C Rotate
anti-jump clip back into closed position

To disengage anti-jump clip just reverse procedure.

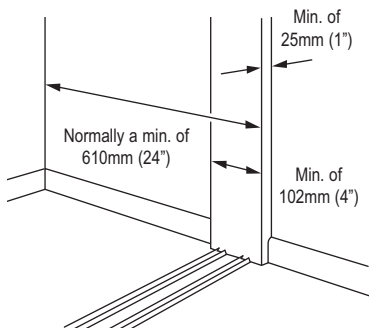
Note: In the unlikely event of anti-jump clip becoming detached during engagement, simply snap it back into original position shown on drawing A.

HOW TO CONSTRUCT YOUR OPENING WIDTH

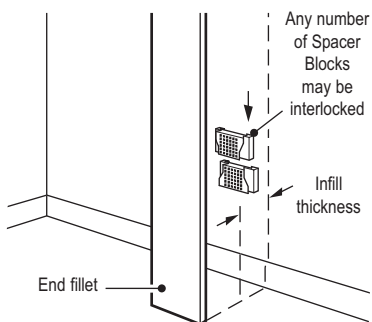
A Fitting to the wall



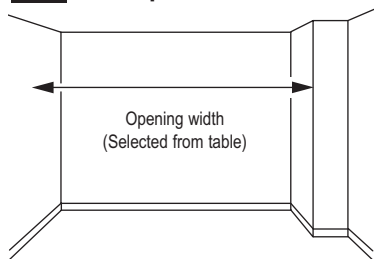
The use of end filllets is recommended to allow the doors to slide flush where an existing skirting board is fitted. Remove a section of the skirting and fit an end fillet.



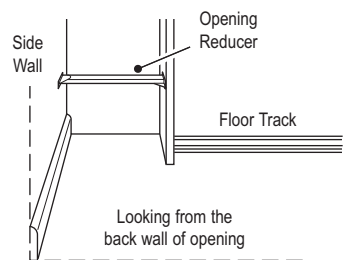
To reduce your opening width by up to 127mm / 5" on each side use *Spacer Blocks* together with the end fillet and appropriate infill. Detailed instructions are provided with each *Spacer Block* pack.



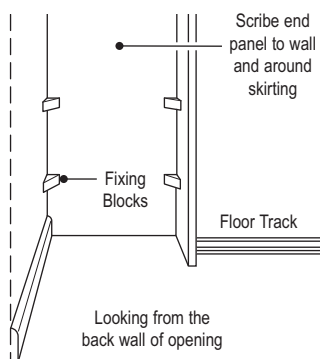
B Fitting Wall to side panel



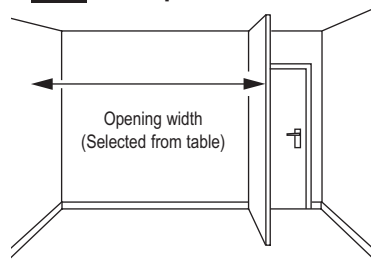
To reduce your opening width from between 127 - 457mm / 5 - 18" on each side you can use *Opening Reducers* fixed to the side wall. Detailed instructions are provided with each *Opening Reducer*.



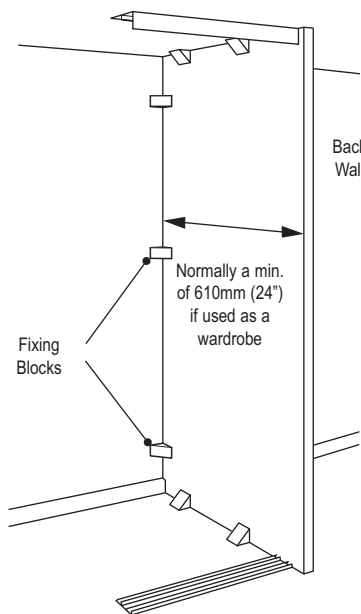
To reduce your opening by more than 457mm / 18" on each side you can construct an 'L' section using an end panel and end fillet. Jointed together with *Fixing Blocks* and scribed to fit the wall and skirting.



C Fitting Wall to end panel

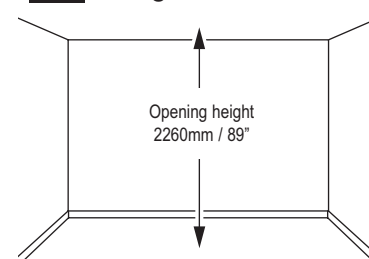


To stop the doors short of an obstruction such as a window or door, construct a return end panel from melamine faced chipboard. Cut to fit the exact ceiling height and scribe back edge to fit rear wall and skirting. Fix return end in position with *Fixing Blocks* equally spaced.



HOW TO CONSTRUCT YOUR OPENING HEIGHT

D Fitting Floor to Ceiling Height 2260mm

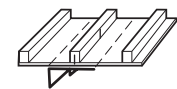


The Top & Bottom Tracksets can be fitted directly to your ceiling and floor using appropriate fixing, which you can buy from any good DIY center.

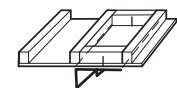
If in doubt about the strength of the fixings, use the methods below. Irregularities of plus or minus 12mm are automatically compensated by the top guide.



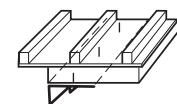
A For tracks running at right angles to the joists; make new holes in the track where necessary and screw directly into each joist.



B For tracks in line with the joists; screw directly into the joists using the pre-drilled holes.



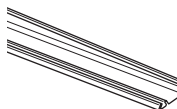
C For tracks between joists; fix noggins between the joists and screw into the noggins.



D For lathe and plaster; fix cantilever battens directly to the ceiling and screw into these.

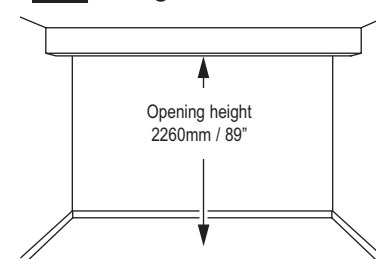


E For tracks fixing to a solid ceiling; drill and screw directly to the ceiling.

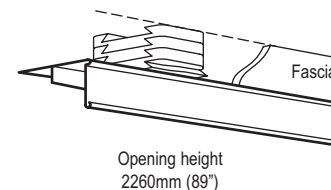
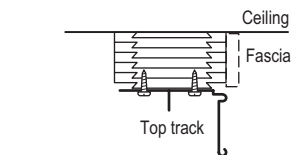


F Fix floor track directly on top of the carpet or floor covering using the short screws provided or double sided tape.

E Fitting Floor to Ceiling Height Over 2260mm



If your ceiling height is between 2272 - 2399mm / 89 1/2" - 94 1/2" use *Spacer Block* to reduce it to 2260mm / 89". Detailed instructions are provided with each *Spacer Block* pack.



For ceilings between 2399 - 2729mm / 94 1/2" - 107 1/2" use *Opening Reducers*. Detailed fixing instructions are provided with each *Reducer* pack.

